

Chiller and freezer chamber swing doors KT 8 / GT 12

- Folding door leaf with CFC-free PUR foam, thermal bridge free foam construction
- Three-piece door hinge, rising version, made of stainless steel and plastic
- »Servo 06« safety lock with profile cylinder and integrated emergency release



KT 8 and GT 12 are robust, classic chiller and freezer chamber doors for commercial and industrial use. With a balanced combination of cool looking surfaces and modern plastics, they offer a streamlined design. The economical insulation thicknesses reduce operating costs and hold in cold. Smooth surfaces, rounded edges and the all-metal design avoid dirt deposits and make cleaning easy. The custom-designed swing doors are ideal for initial installations and as replacement doors for renovations.

Door leaf

All door leaves have robust sheet metal outer layers and are filled with CFC-free polyurethane foam. The full circumference rubber seals are highly elastic and easy to replace. The door leaves are available in either an 80 or 120 mm thickness, depending on the application and temperature range.

Frame

The torsion-resistant standard block frame is also completely filled with hard polyurethane foam. It is equipped with galvanised wall anchors for installation in masonry walls. The light alloy threshold available in the serial product can be inserted flush with the floor so it can be driven over. In addition, all frames are equipped with a built-in frame and threshold heating in freezer areas. The heating system has an overheating thermostat and is prepared for direct connection to a 220 volt power source.

Fittings

The »Servo 06« handle is equipped with a safety lock, corrosion-resistant levers and a profile cylinder lock. The integrated emergency release reliably ensures safety. The rising door hinges lift the door several millimetres during opening.

Accessories and custom designs

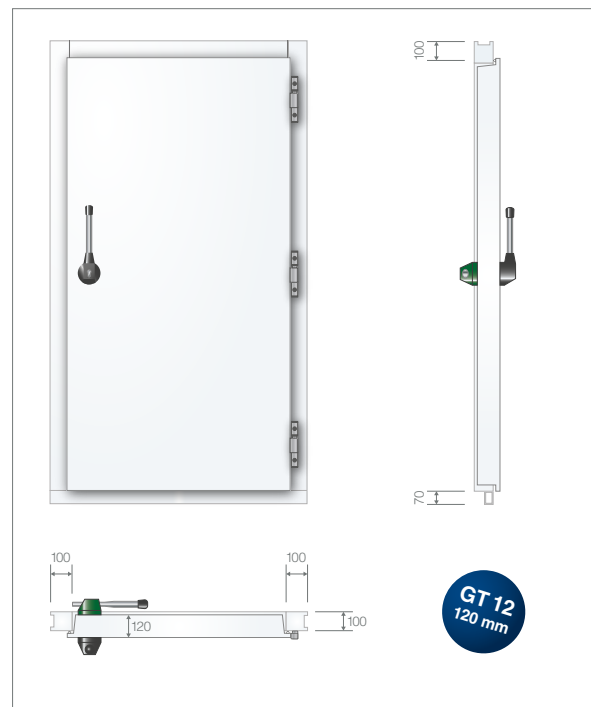
Contact switch, dual-leaf designs, view window, tubular track openings, specialised frames for different installation situations

Surfaces

- Stainless steel, 240 grain matte finish
- Stainless steel, circular matte finish
- Galvanised thin sheet metal, white similar to RAL 9010
- Other RAL colours available

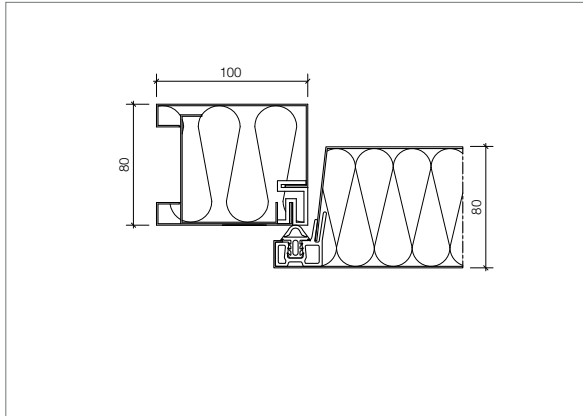


Chiller chamber door KT 8
80 mm insulation thickness, +25°C to 0°C
Standard block frame for installation in masonry



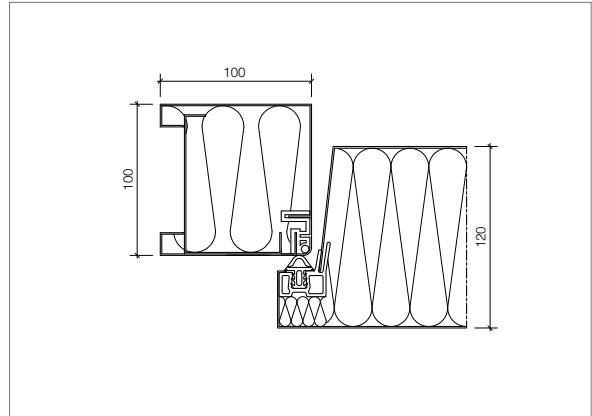
Freezer room door GT 12
120 mm insulation thickness, +25°C to -30°C
Standard block frame for installation in masonry

KT 8 frame variants

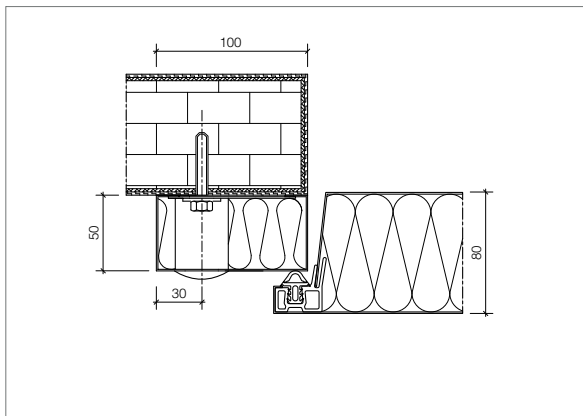


Block frame with cold interruption profile.

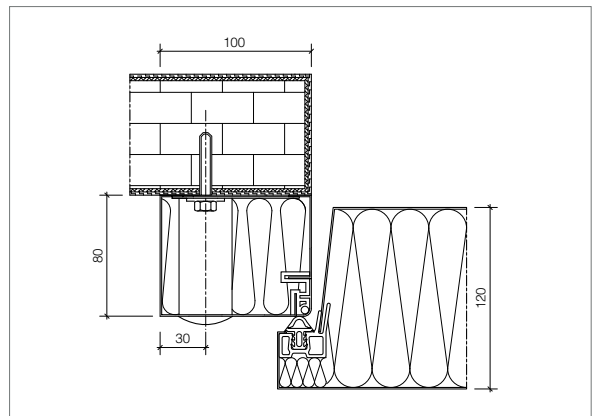
GT 12 frame variants



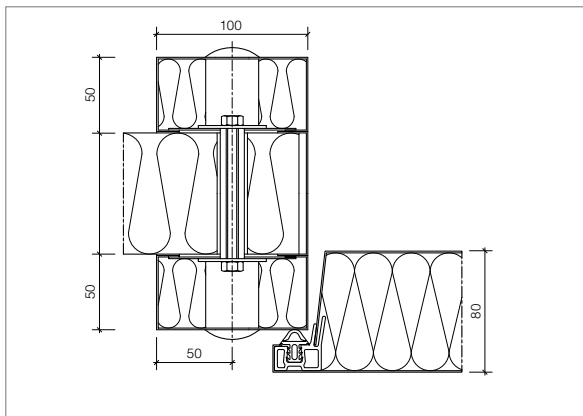
Block frame with cold interruption profile and frame heating.



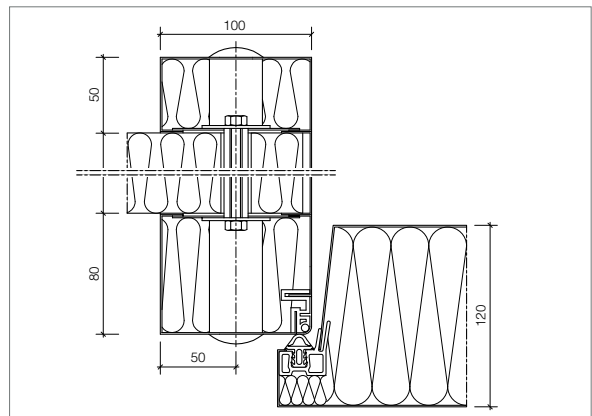
Flat frame for mounting on masonry.



Flat frame for mounting on masonry, with cold interruption profile and frame heating.



Flat clamping frame for installation in insulating elements.

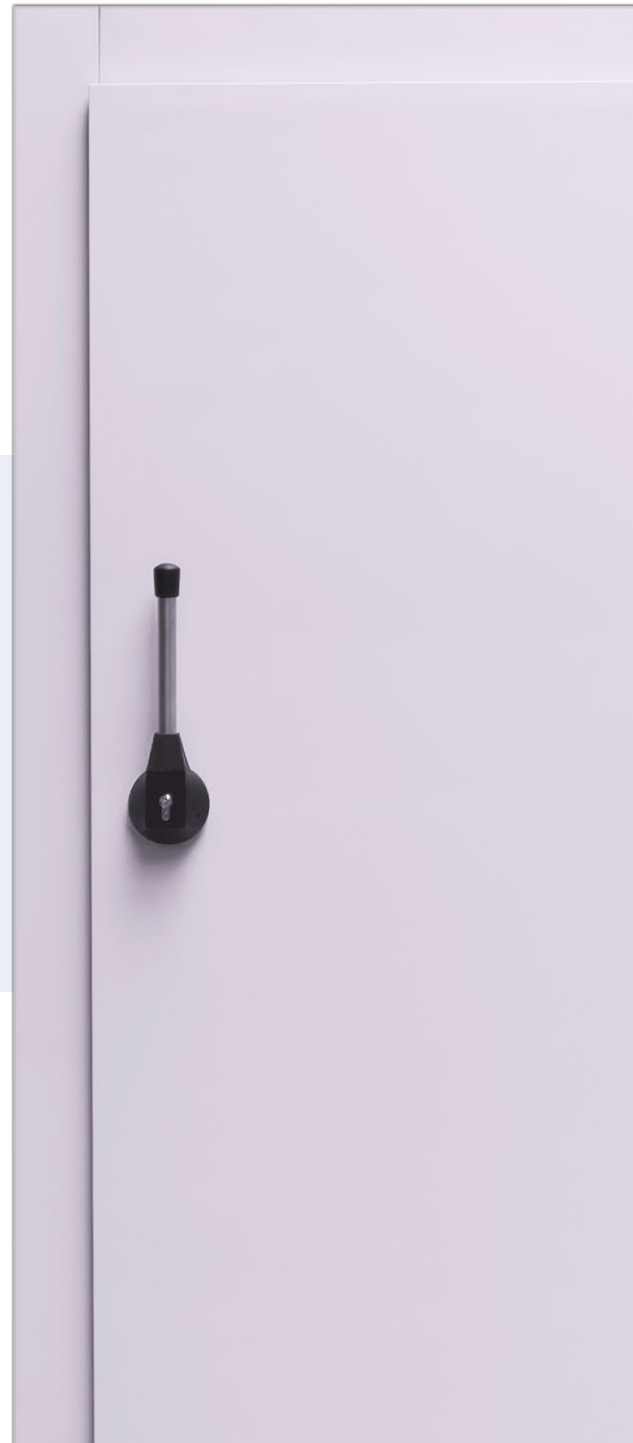


Flat clamping frame for installation in insulating elements, with cold interruption profile and frame heating.



TELEDOOR

- Chiller and freezer cells
- Chiller and freezer chamber doors
- Climate and test cells
- Clean room technology
- Machine claddings



Chiller and freezer chamber swing doors 04/2024